

E-Motorcycle / E-Scooter Rear Drive Assembly kit

REAR / MID DRIVE FULL KIT



The Kits include as below:

- 1pc 2000W Mid Drive Motor with Left/Right fork
- 1pc SINUSOIDAL WAVE BLDC MOTOR CONTROLL
- 1pc Rear synchronous belt wheel
- 2pcs Decoration cover
- 1pc Rear axle with screws
- 2pcs Adapter
- 1pc Synchronous belt
- 1pc **12inch Aluminmun wheel**
- 1pc Tubeless tyre
- 1pc Disc Brake + Brake Calliper
- 1pc fender
- 1pc Belt shield
- 1pc Belt side shield

RDK-2kW/72V

950 € netto for Full kit

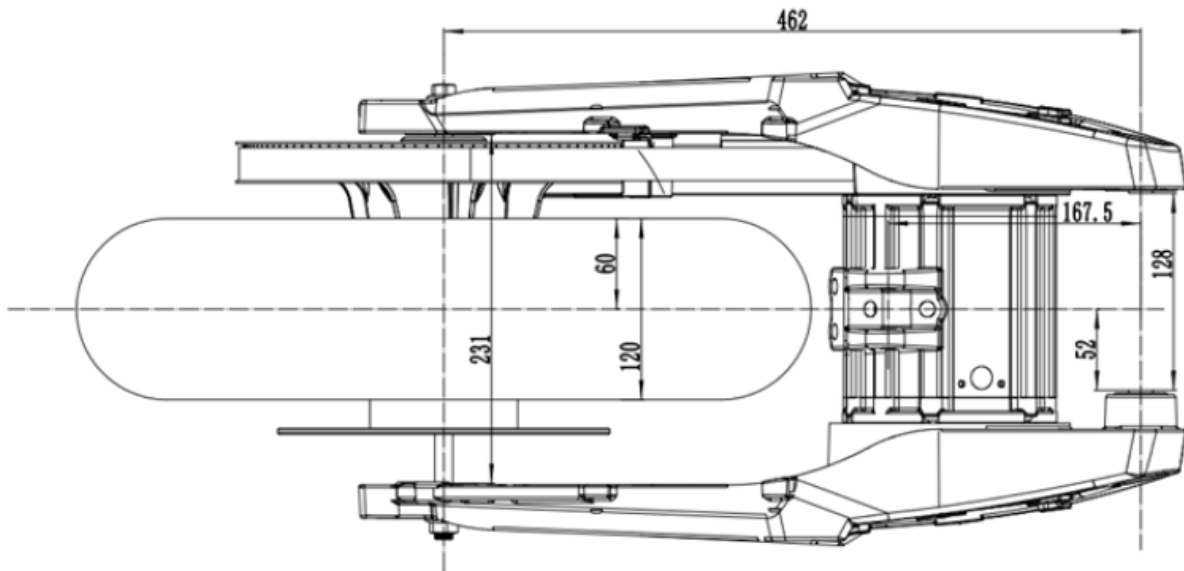
From stock

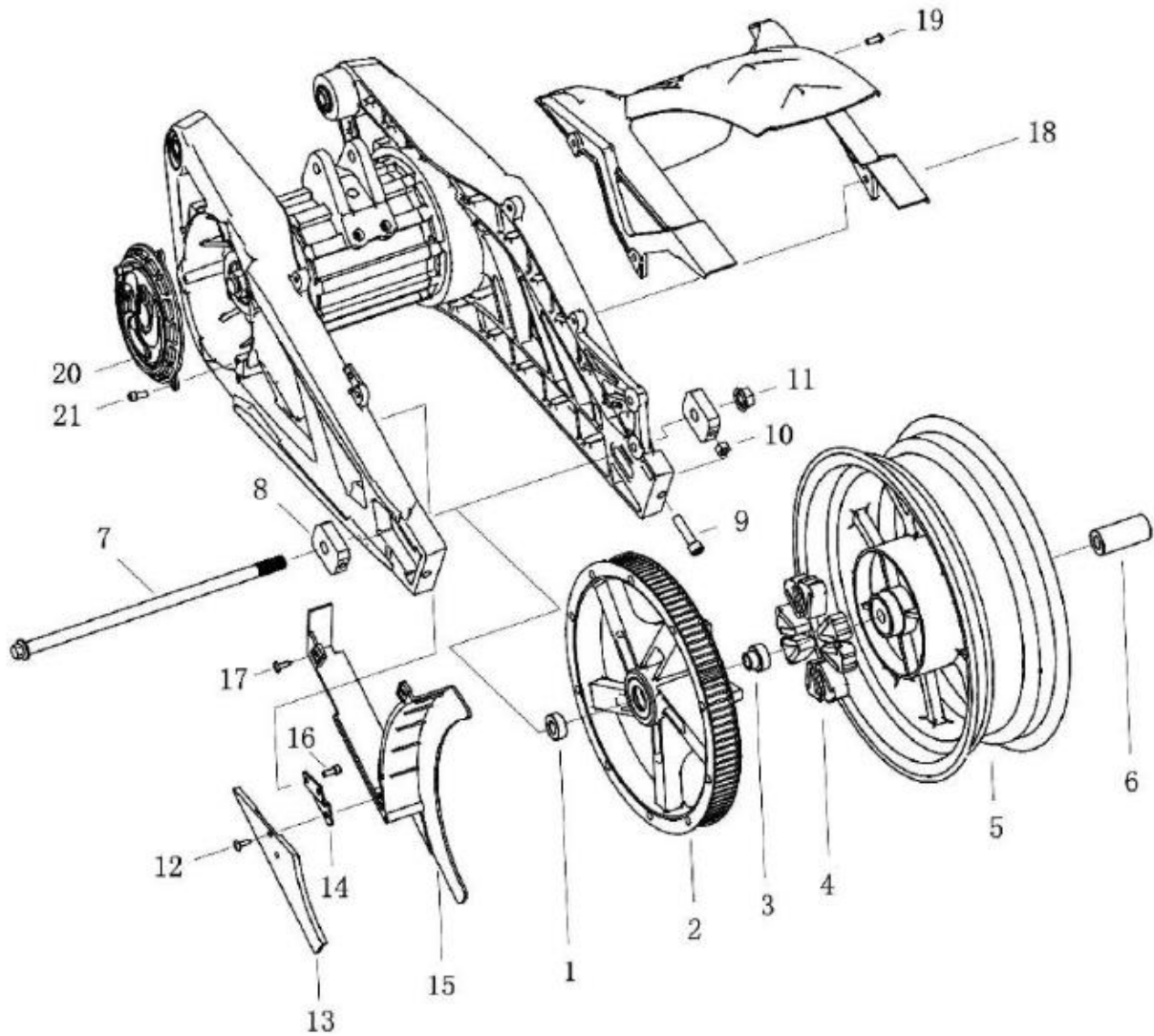
General Technical Infomation:

Wheel:	12inch
No-load motor rpm:	2900rpm
Speed:	70KPH @ 72V (at weel 12inch)
Max Torque (on wheel):	187.9 N.m (with Reduction ratio 1:4.7)
Reduction ratio:	1:4.7 (as default)
Max Efficiency:	89.2%

Motor magnets Hight:	70mm, 40pcs. (5 pole pairs)
Hall Sensor	Phasing angle 120 degree
Suggest Peak Phase current	250A
Battery current Cont. / Peak	35A / 60A







Pictures of main Items of the kit

Motor + Left/Right fork



APT custom controller



Belt side shield



Rear axle with screws



Decoration cover



Synchronous belt



Belt shield



Adapter



Rear synchronous belt wheel



12 inch wheel



Fender



OTHER AVAILABLE ELECTRIC MOTORS and Conversion kits

